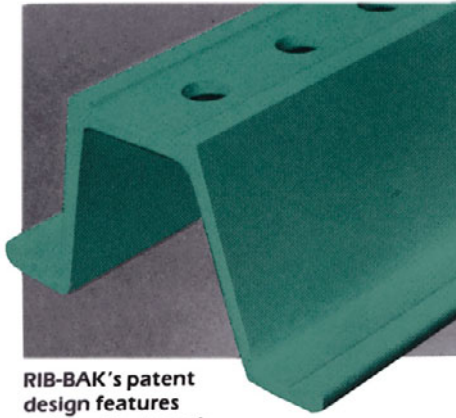
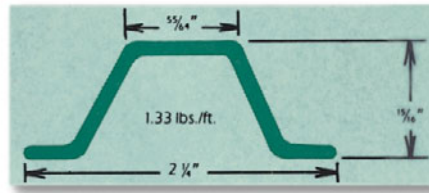
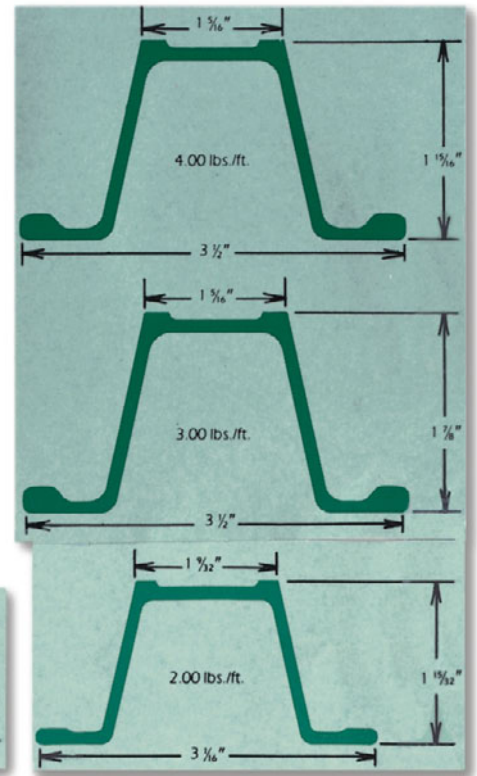


SIGN POSTS

We are a distributor of Marion Steel Rib-Bak U-Channel posts which are manufactured from high tensile steel with galvanized or green enamel finish. The posts are designed to provide an attractive appearance and years of maintenance-free service. The posts are punched the full length with 3/8" holes on 1" centers. We also offer the lap splice u-channel breakaway system and the minute man u-channel post breakaway system.



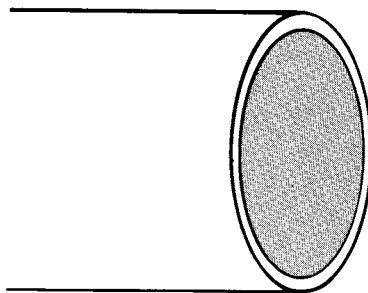
RIB-BAK's patent design features a ribbed back and flange for extra strength.



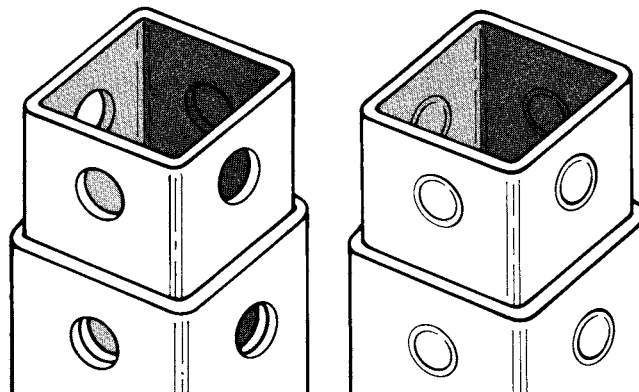
Stock Sizes of U-Channel Sign Posts

Lbs. Per Foot	6'6"	7'	8'	9'	10'	11'	12'
Green, 1.33lbs	X						
Green, 2lbs		X	X	X	X	X	X
Green, 3lbs					X		X
Galvanized, 2lbs			X		X	X	X

4lb posts are available upon request.



Our round galvanized steel posts have a 2 3/8" outside diameter. We carry .065 and .154 wall thickness.



Our square galvanized steel posts are available up to 24' lengths in 12 and 14 gauge and are perforated with 7/16" holes the full length on all four sides, 1" center to center. We have 1 3/4"x1 3/4", 2"x2", 2 1/4"x2 1/4", and 2 1/2"x2 1/2". Base posts are available in 12 gauge.